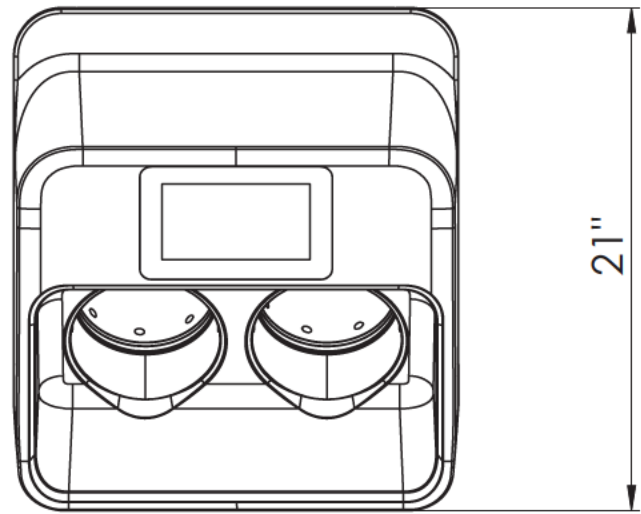


4

3

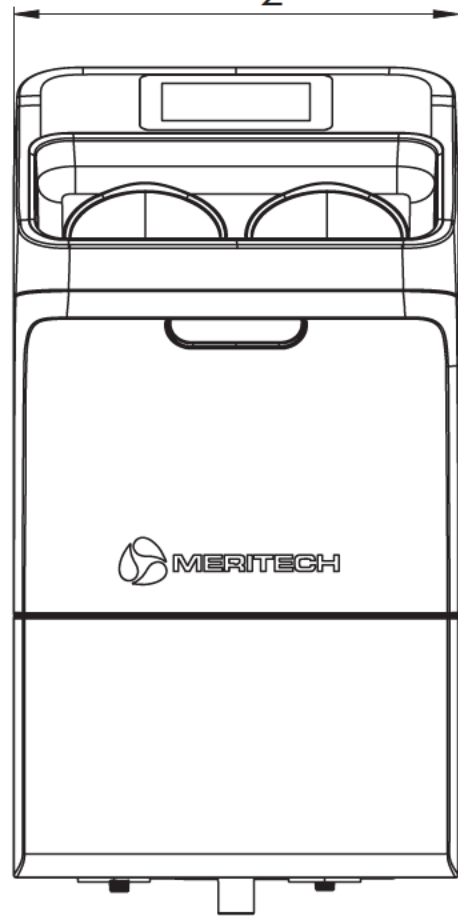
2

1

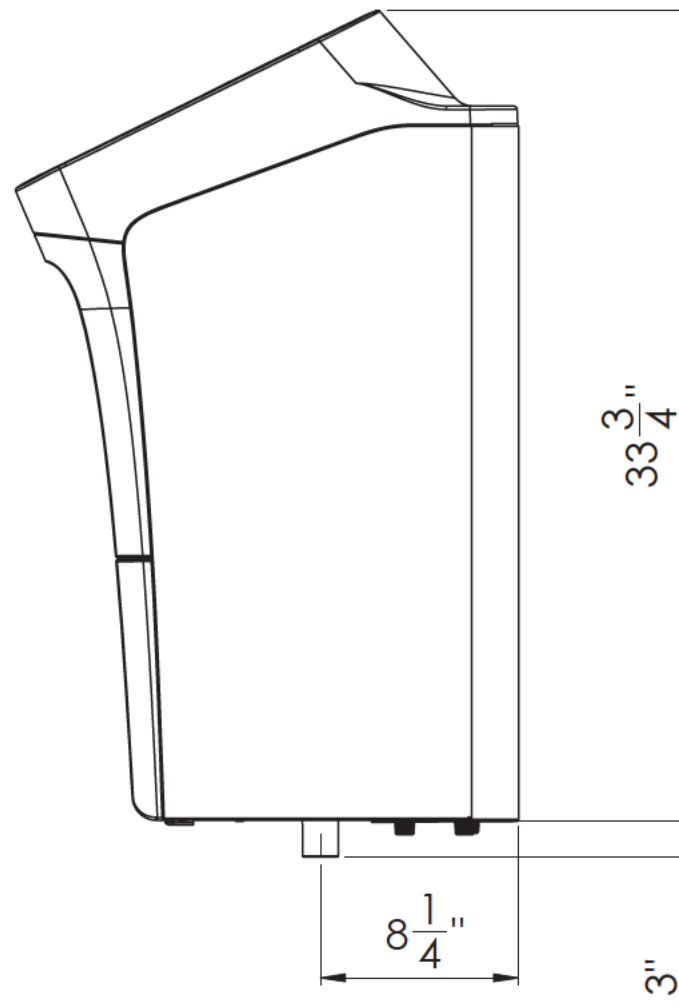


21"

18 1/2"



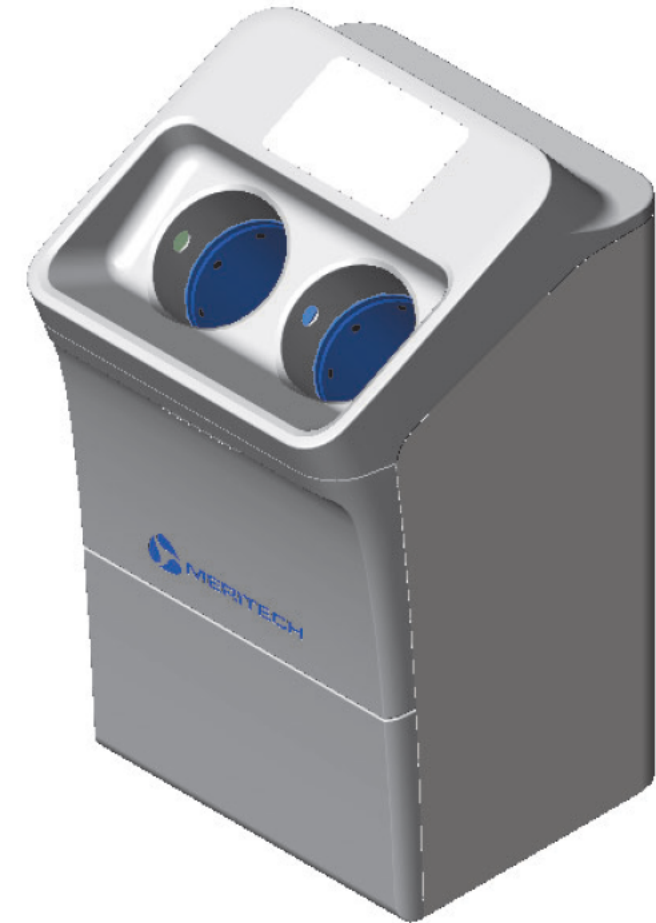
MERITECH



33 3/4"

8 1/4"

3"



**MERITECH** 720 CORPORATE CR. SUITE K  
 GOLDEN, CO 80401  
 PH. 303-790-4670

TITLE:  
**EVO Wall**

SIZE  
**B**

SCALE: 1:8 WEIGHT: SHEET 1 OF 2

4

3

2

1

B

B

A

A

4

3

2

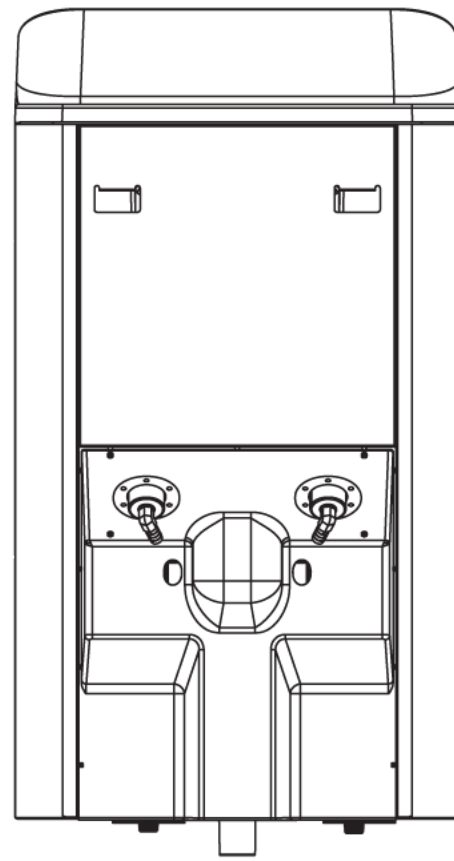
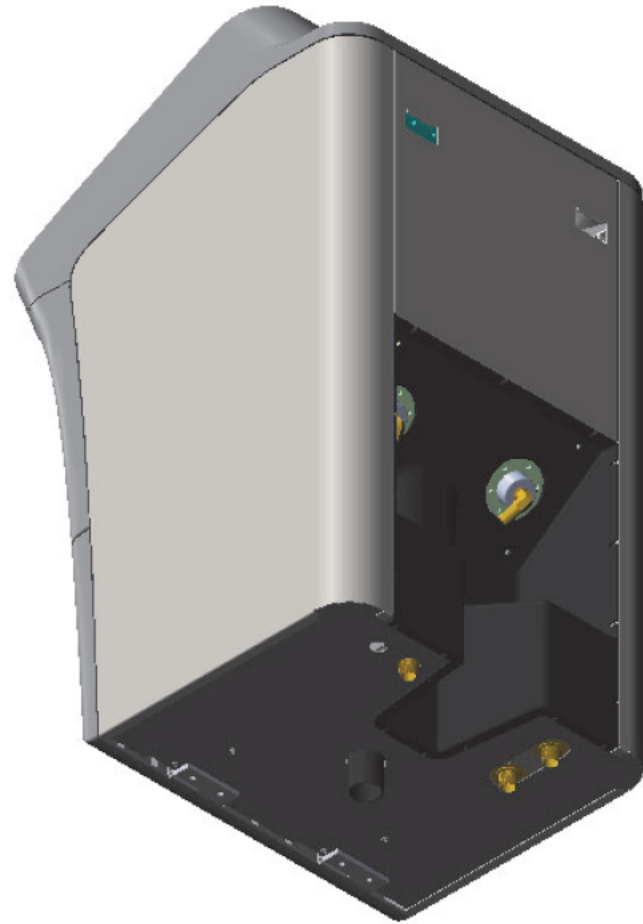
1

B

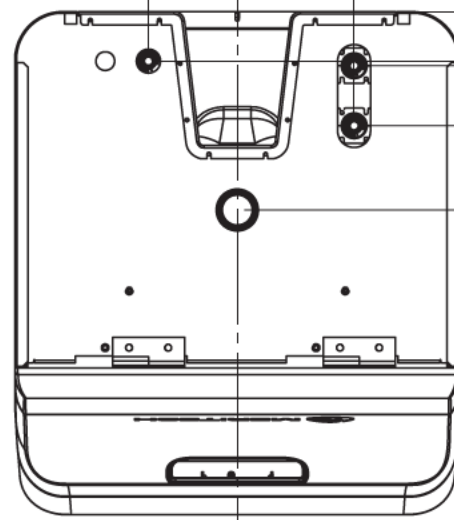
B

A

A



$3\frac{11}{16}$ "  $4\frac{7}{8}$ "



0"  
 $2\frac{1}{16}$ "  
 $2\frac{1}{4}$ "  
 $4\frac{3}{4}$ "  
 $8\frac{1}{4}$ "

**MERITECH** 720 CORPORATE CR. SUITE K  
 GOLDEN, CO 80401  
 PH. 303-790-4670

TITLE:  
**EVO Wall**

SIZE  
**B**

SCALE: 1:8 WEIGHT: SHEET 2 OF 2

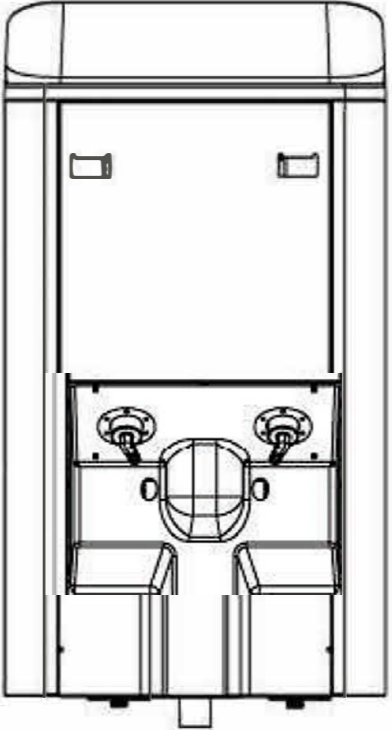
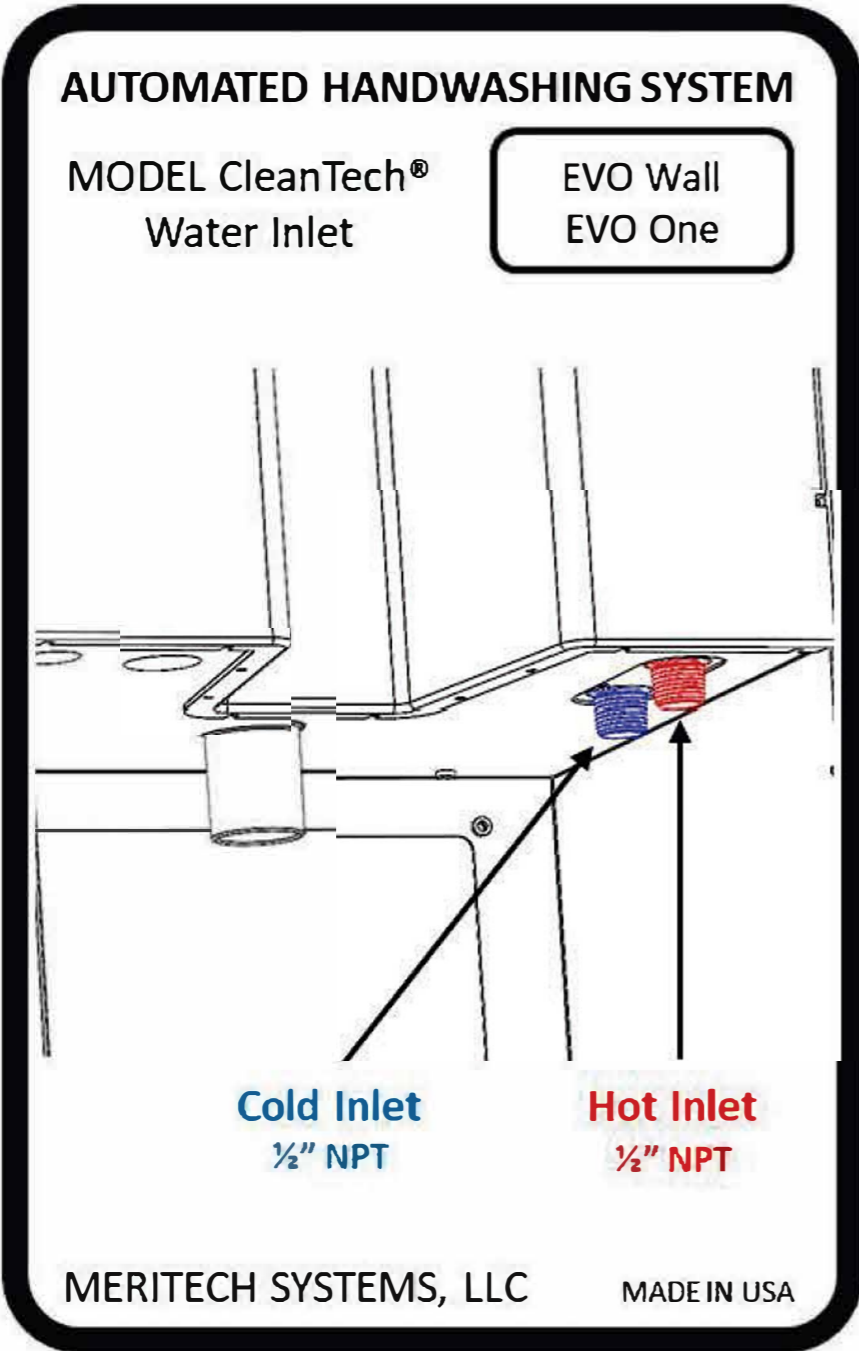
4

3

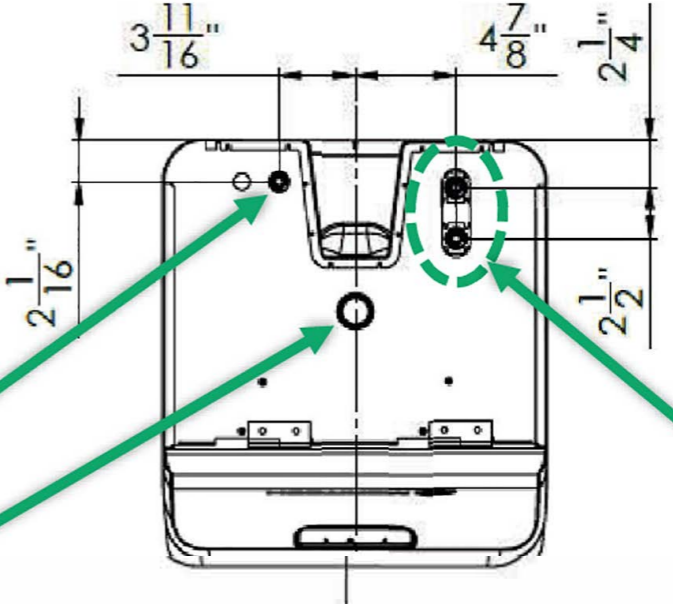
2

1

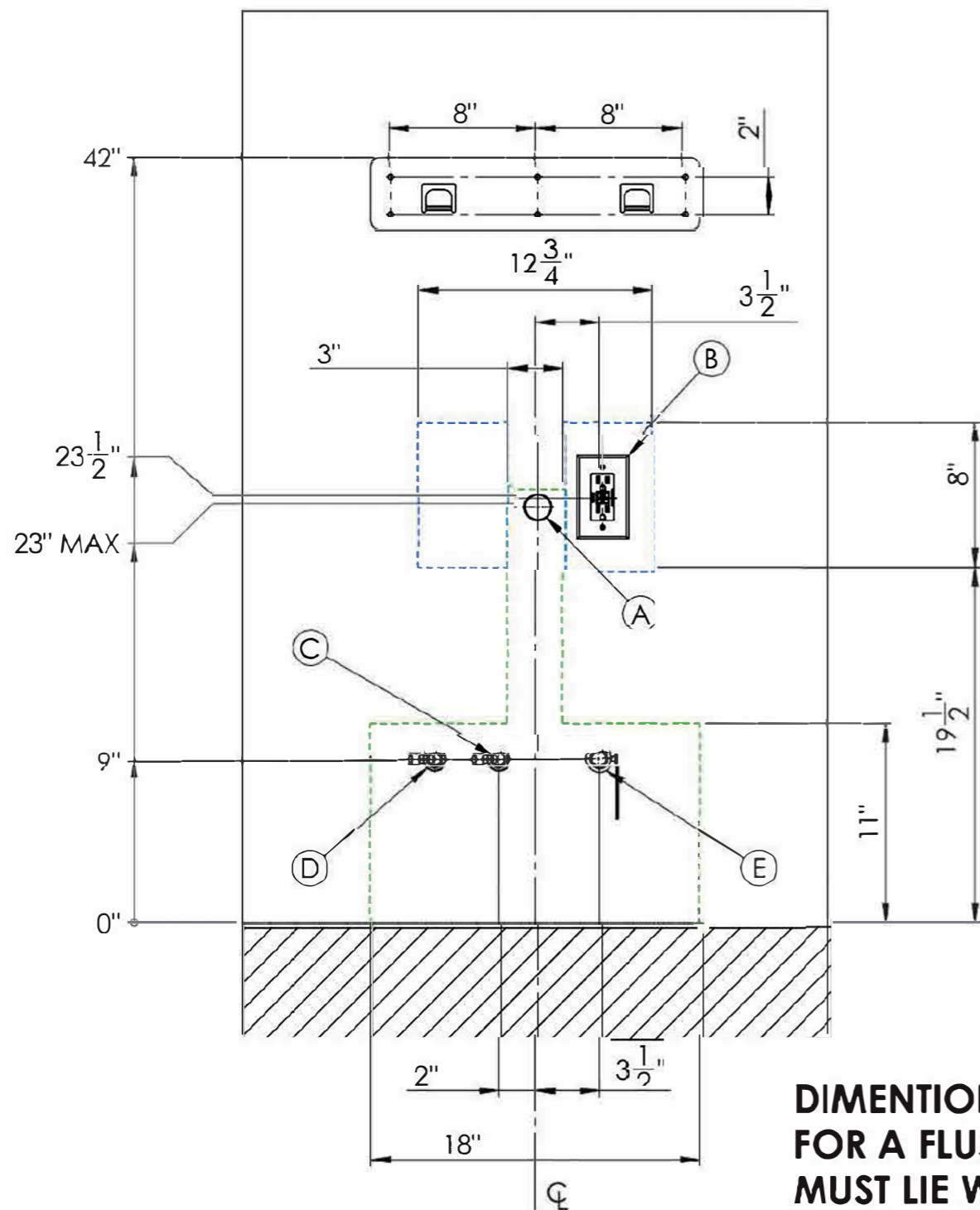
# Cut Sheets & Installation Rough-In Diagrams



**Air Curtain  
Inlet (Optional)**  
1 ½" Drainpipe



**Water Inlet  
Fittings**



- A: WALL DRAIN STUB (1 1/2" WASTE)
- B: ELECTRICAL OUTLET (110 VAC, GFCI)
- C: COLD WATER INLET (SHUTOFF VALVE W/ 3/8" COMPRESSION MIN.)
- D: HOT WATER INLET (SHUTOFF VALVE W/ 3/8" COMPRESSION MIN.)
- \* E: AIR INLET; 19 CFM @ 25-30 PSI, 50 PSI MAX (1/2" BALL VALVE; PRESSURE REGULATOR SUPPLIED BY CUSTOMER)

**FACILITY LINE MUST BE AT LEAST 1/2" I.D. TO SUPPORT FLOW REQUIREMENTS**

**\* Air Inlet only required if Integrated Air Curtain feature was requested**

**DIMENSIONS SHOWN ARE SUGGESTED LOCATIONS FOR A FLUSH TO WALL INSTALLATION: ALL WATER FACILITIES MUST LIE WITHIN THE DASHED, GREEN AREA; ELECTRICAL FACILITIES MAY LIE IN THE BLUE OR GREEN AREAS**

**IF YOU SHOULD EXPERIENCE ANY DIFFICULTY OR ARE UNSURE ABOUT THE INSTALLATION PROCEDURE, WE ENCOURAGE YOU TO CONSULT IMMEDIATELY WITH MERITECH.**

Meritech Systems, LLC  
720 Corporate Circle, Suite K  
Golden, CO 80401 USA

Website: [www.meritech.com](http://www.meritech.com)

Phone: (800) 932-7707

Fax: (303) 790-4859

E-mail: [support@meritech.com](mailto:support@meritech.com)