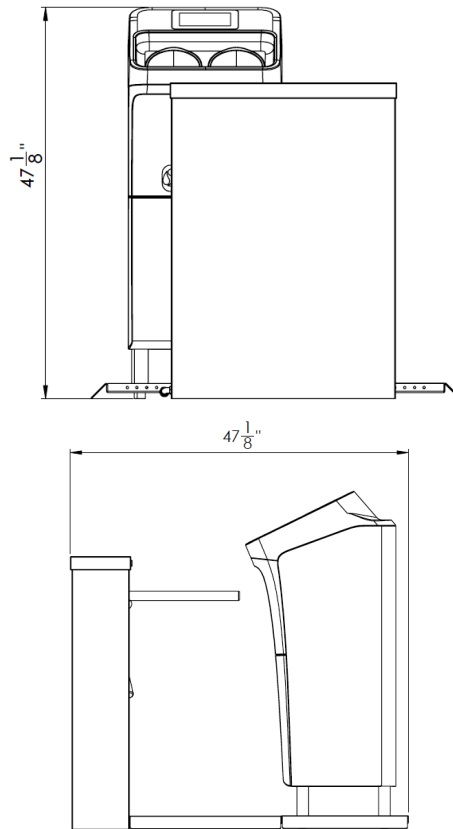


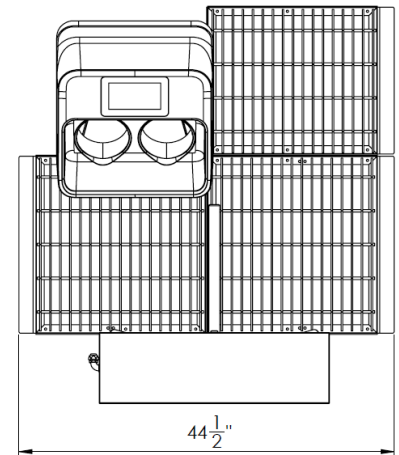
CleanTech® Enhancements

Controlled Access

Turnstile used with EVO One to limit entry to production areas.



This turnstile will remain closed until the successful completion of the CleanTech® EVO One Automated Handwashing cycle, thus guaranteeing a proper hand hygiene event prior to entering a controlled zone. If installed at each entryway, food safety managers, inspectors and auditors can have peace of mind that every person entering the facility is clean and safe.



Weight

335 lbs (204kg) - varies with options

Shipping Weight

450 lbs (152 kg) - varies with options

Electrical

120 VAC 50/60 Hz, 160 W - international plugs available

Dimensions

44 1/2" width x 47 1/8" depth x 47 1/8" height
(113 cm width x 120 cm depth x 120 cm height)

Compatible With

CleanTech® EVO One
Single-Station Automated Handwashing System

Features

- Two turnstile orientation options to accommodate both entrances and exits
- Supports integrated footwear enhancements for simultaneous handwashing and footwear sanitizing provides a full cGMP hygiene protocol in just 12 seconds
- Stainless steel wall add-on to mount air dryer or paper towel dispenser



Ensures hygiene
SOP compliance



Removes 99% of
dangerous pathogens



Optional full cGMP hygiene
protocol in just 12 seconds